

Specifications

Insulation Resistance:	1,000MΩ min. at 500V DC
Dielectric Strength:	1,000V AC min. for 1 minute
Voltage Rating:	300V DC
Withstanding Voltage:	500V AC for 1 minute
Contact Resistance:	13mΩ max.
Current Rating:	1.5A
Operating Temp. Range:	-55°C to +105°C
Soldering Temp.:	220°C / 60 sec., 250°C peak

Materials and Finish

Insulator:	Nylon 6T, glass filled UL94V-0
Contacts:	Phosphor Bronze
Plating:	Mating Area = Au Flash over Ni Solder Area = Sn over Ni
Snap-in:	Brass, Ni or Sn plated
Clinch Nut:	Brass, Ni plated
Shell:	Steel, Sn, Zn or Ni plated



Features

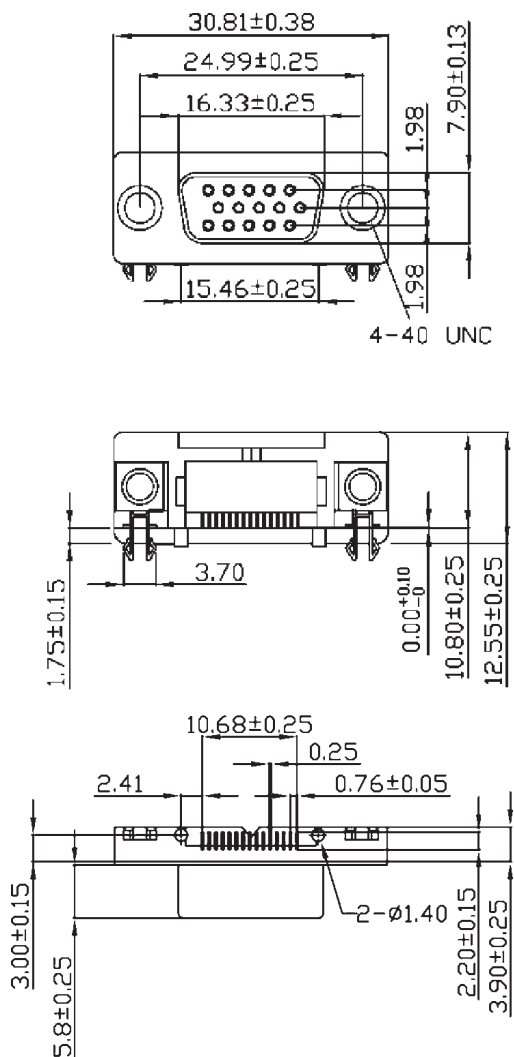
- ⇨ Low profile, total depth of only 3.9mm
- ⇨ Coloured insulator acc. to PC99 standard available

Part Number (Details)

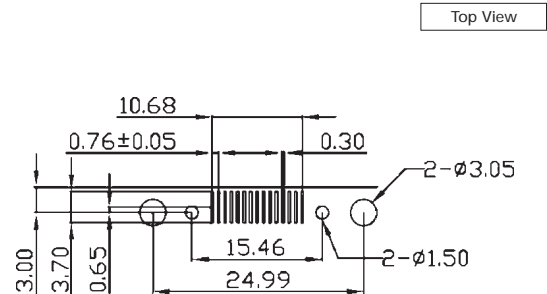
CT09 - 15 S 5 - S3 - K228 - *

Series	CT09
No of Pins = 15	15
S = Female (15 pins only)	S
90° PCB Mounted	5
SMT Type	S3
Connection Assembly Option: With Snap-in Contacts with Clinch Nut Riveted UNC4-40	K228
Colour of Insulator: No Mark = Black PC99 = Pantone 661C (blue)	*

Outline Connector Dimensions (Female, 15 pins only)



Recommended PCB Layouts



Snap-in Contact Detail

